

# Shevimpex®

*Catalogue of*

## TEXTILE PRODUCTS

---



*Since 1993*

*More than 2000 m<sup>2</sup> production area*

---

# Kitchen Gloves



KG 01



KG 01L



KG 01XL



KG 02



KG 02 DUO



KG 03



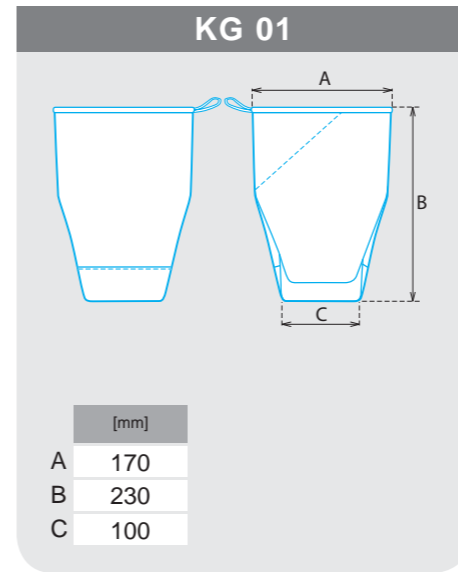
KG 04



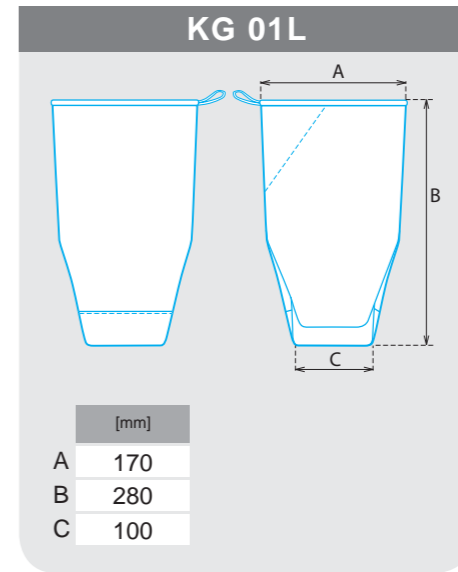
KG 04XL



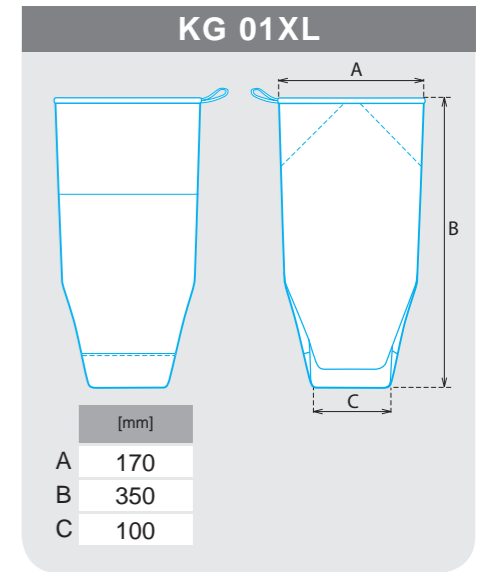
KG 05XL



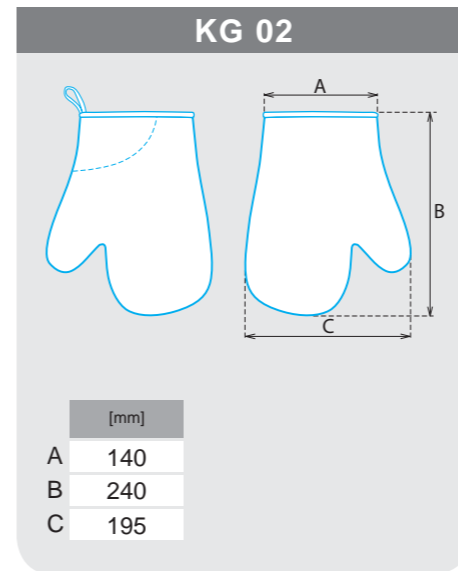
KG 01



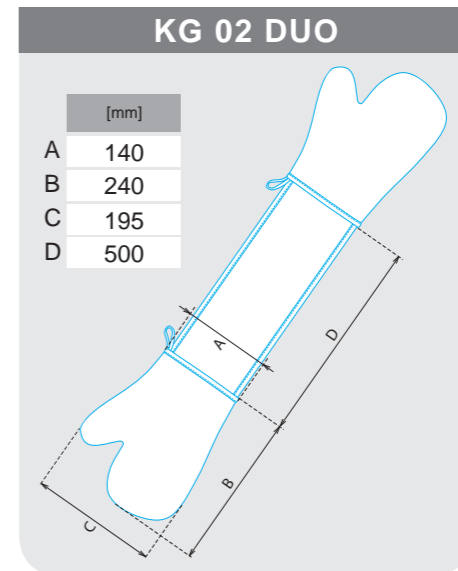
KG 01L



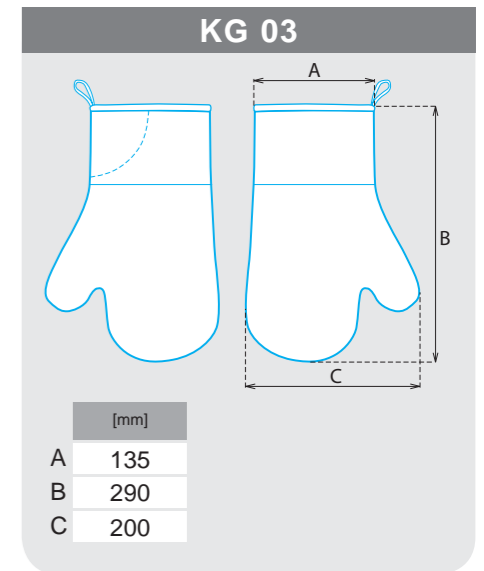
KG 01XL



KG 02



KG 02 DUO

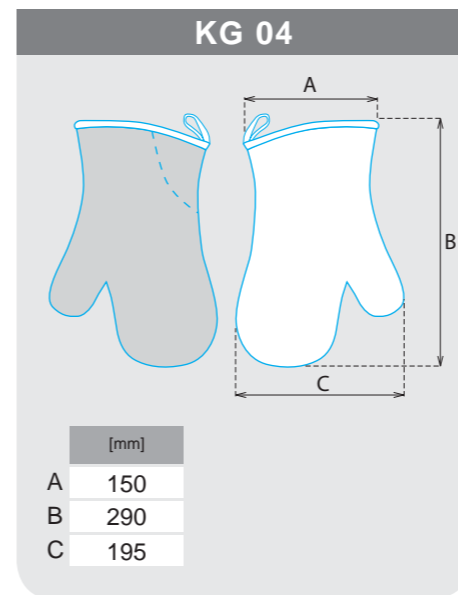


KG 03

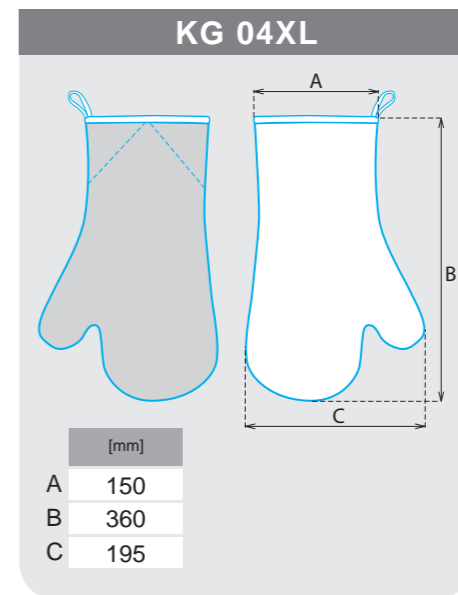
For gloves colour availability, please check colour chart for 100% cotton on page 4. Special colours are available on request for more than 8000 pcs only. All dimensions can be changed based on customer's request.

**Branding:** Screen printing, Embroidery

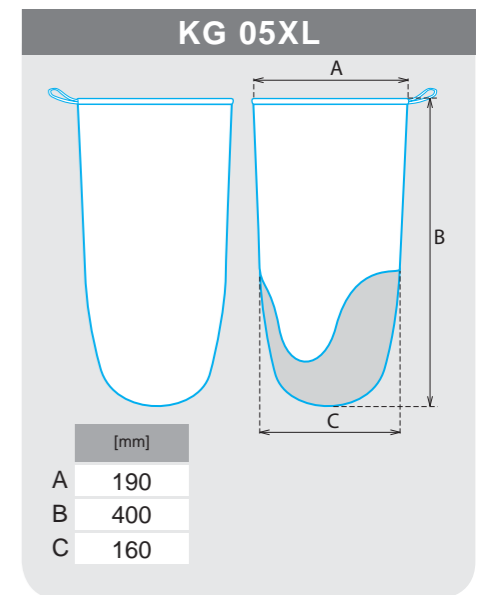
**Edging colours:** Other colours on request



KG 04



KG 04XL



KG 05XL

# Aprons



AP 01



AP 02

AVAILABLE FABRICS

<b>TIVO</b> 190g/m <sup>2</sup> 100% cotton	508	535	558	667	668	956	999	325	125	511	611	001	002						
<b>TINA</b> 245g/m <sup>2</sup> 100% cotton	553	535	508	625	659	668	888	871	956	927	999	368	325	276	125	001			
<b>TONA</b> 260g/m <sup>2</sup> 100% cotton	553	535	558	508	689	668	695	625	628	956	927	999	368	325	276	125	001		
<b>TERA</b> 240g/m <sup>2</sup> 65% PES 35% cotton	542	552	533	523	924	914	934	916	999	643	623	632	614	415	315	228	203	114	001
<b>TANIA</b> 180g/m <sup>2</sup> 52% PES 48% cotton	541	533	531	629	625	635	913	933	999	347	321	112	611	511	001				



AP 03



AP 04

**AP 01**

	[cm]
A	64
B	78
C	50

This apron is fully digitaly printed on 100% cotton fabrics or on 100% PES with sublimation.

**AP 02**

	ADULTS [cm]	CHILDREN [cm]
A	65	48
B	74	52
C	48	33

All fabrics from colour chart can be used for all aprons except AP01. Special colours are available on request. All dimensions can be changed based on customer's request.  
**Branding:** Screen printing, Embroidery  
**Edging colours:** Other colours on request

**AP 03**

	[cm]
A	48
B	68
C	43

**AP 04**

	[cm]
A	65
B	75
C	52

# Aprons



AP 05



AP 06

AVAILABLE FABRICS

TIVO 190g/m <sup>2</sup> 100% cotton	508	535	558	667	668	956	999	325	125	511	611	001	002						
TINA 245g/m <sup>2</sup> 100% cotton	553	535	508	625	659	668	888	871	956	927	999	368	325	276	125	001			
TONA 260g/m <sup>2</sup> 100% cotton	553	535	558	508	689	668	695	625	628	956	927	999	368	325	276	125	001		
TERA 240g/m <sup>2</sup> 65% PES 35% cotton	542	552	533	523	924	914	934	916	999	643	623	632	614	415	315	228	203	114	001
TANIA 180g/m <sup>2</sup> 52% PES 48% cotton	541	533	531	629	625	635	913	933	999	347	321	112	611	511	001				

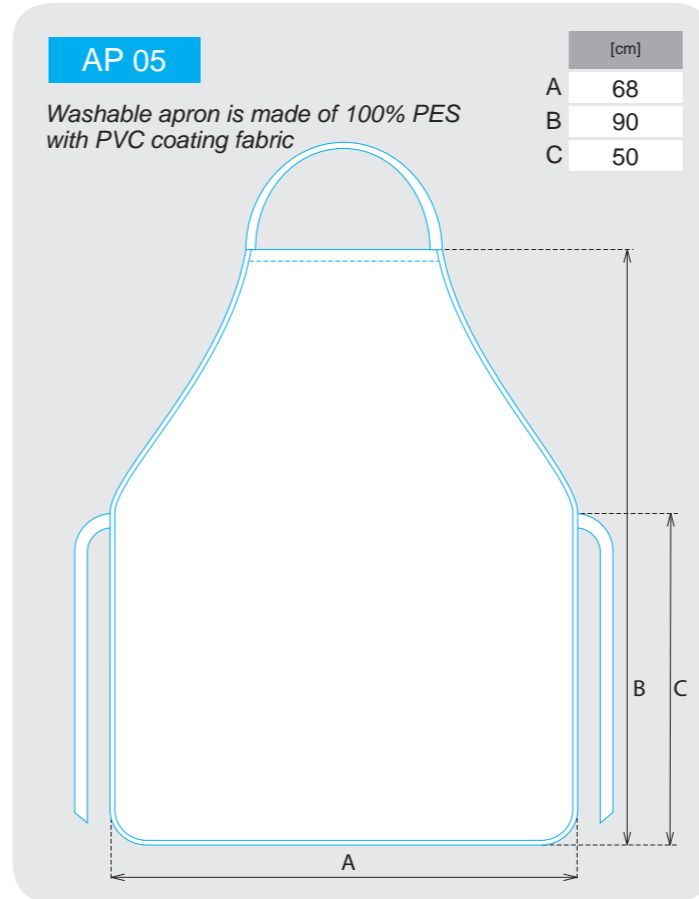


AP 07

pocket for purse, bills and pen



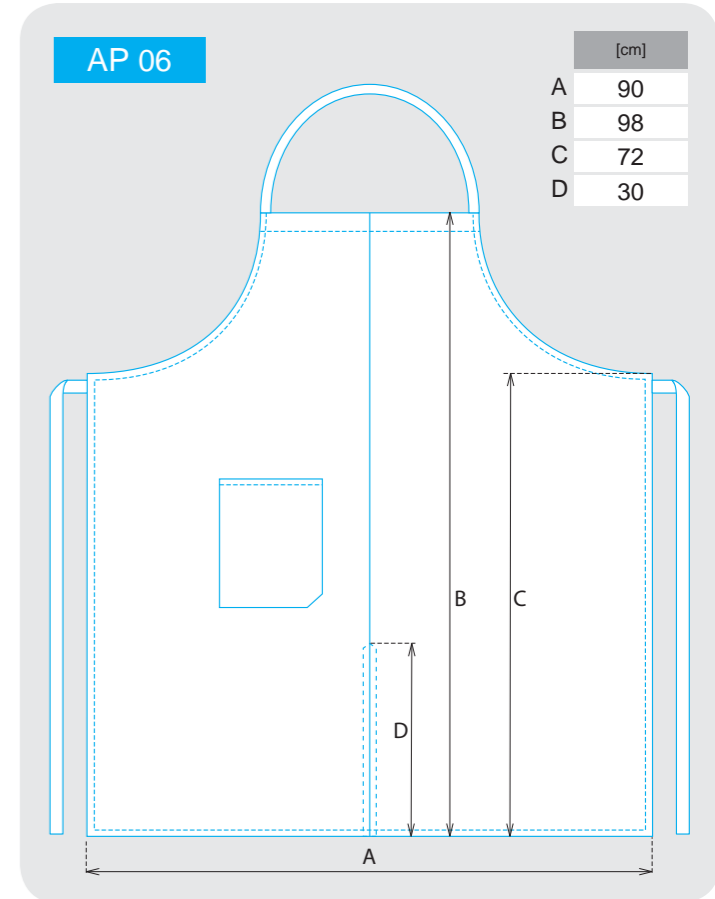
AP 08



AP 05

Washable apron is made of 100% PES with PVC coating fabric

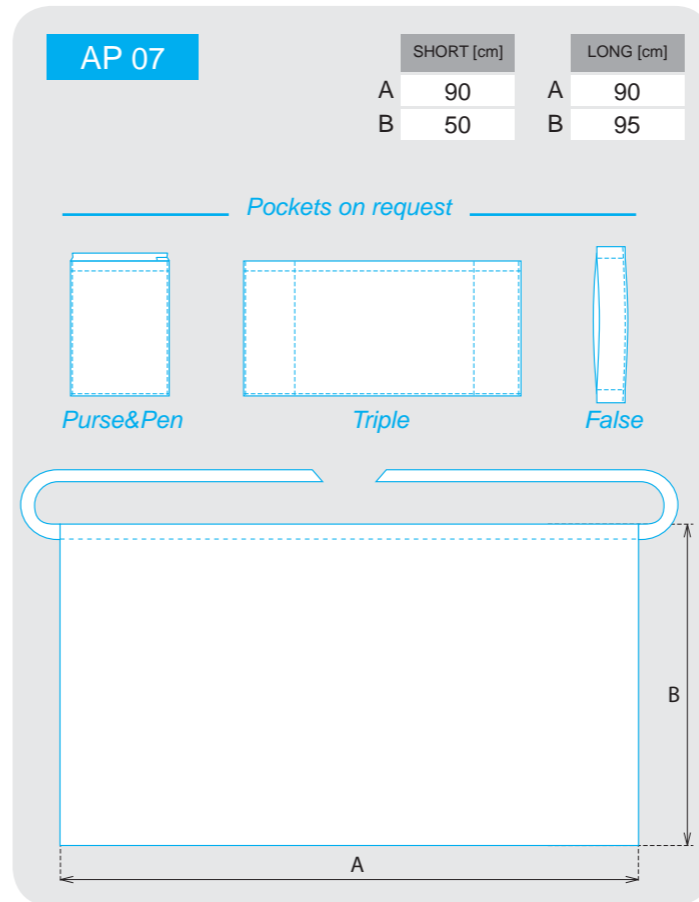
	[cm]
A	68
B	90
C	50



AP 06

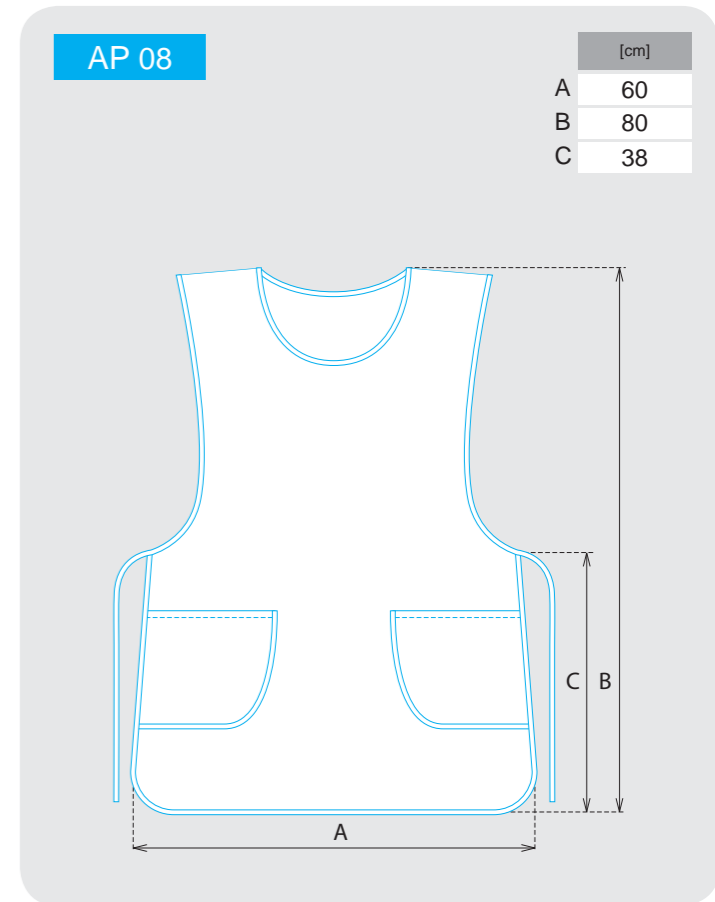
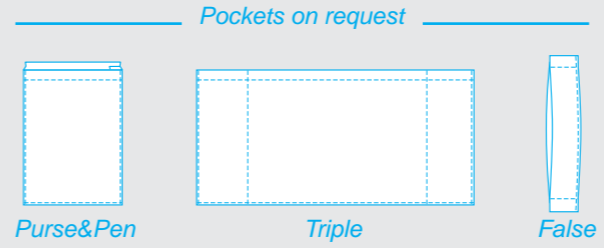
	[cm]
A	90
B	98
C	72
D	30

All fabrics from colour chart can be used for all aprons except AP05. Special colours are available on request. All dimensions can be changed based on customer's request.  
**Branding:** Screen printing, Embroidery  
**Edging colours:** [White] [Yellow] [Red] [Green] [Blue] [Black]  
 Other colours on request



AP 07

	SHORT [cm]	LONG [cm]
A	90	A 90
B	50	B 95



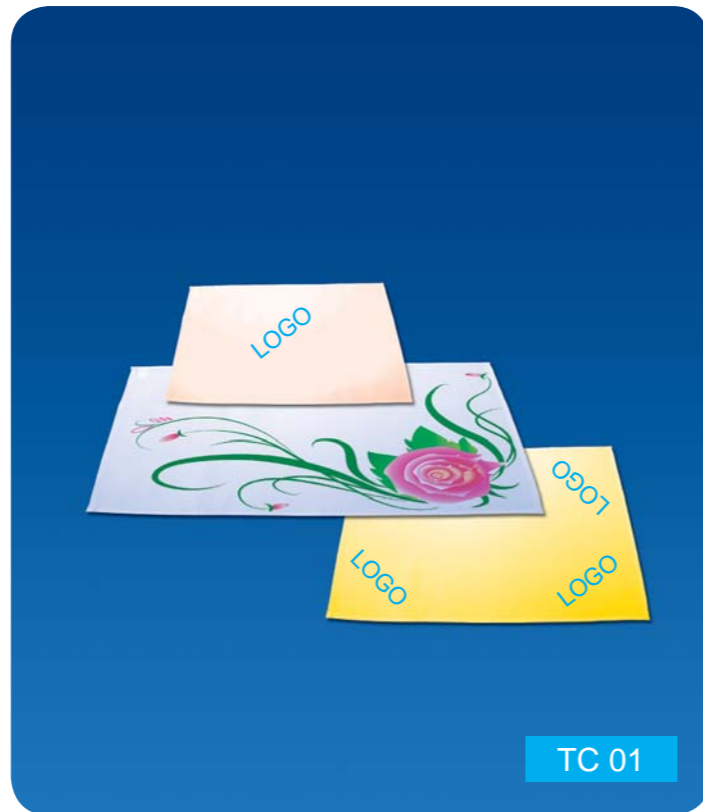
AP 08

	[cm]
A	60
B	80
C	38

# Tea Towels ~~~~~ Table Covers



KT 01



TC 01

**AVAILABLE FABRICS**

<b>TIVO</b> 190g/m <sup>2</sup> 100% cotton	508	535	558	667	668	956	999	325	125	511	611	001	002						
<b>TINA</b> 245g/m <sup>2</sup> 100% cotton	553	535	508	625	659	668	888	871	956	927	999	368	325	276	125	001			
<b>TONA</b> 260g/m <sup>2</sup> 100% cotton	553	535	558	508	689	668	695	625	628	956	927	999	368	325	276	125	001		
<b>TERA</b> 240g/m <sup>2</sup> 65% PES 35% cotton	542	552	533	523	924	914	934	916	999	643	623	632	614	415	315	228	203	114	001
<b>TANIA</b> 180g/m <sup>2</sup> 52% PES 48% cotton	541	533	531	629	625	635	913	933	999	347	321	112	611	511	001				

**KT 01** [cm]

A	50
B	70

Branding: Screen printing, Embroidery

**TC 01** MAX [cm]

A	140
B	140

Branding: Screen printing, Embroidery

All fabrics from colour chart can be used for all towels and table covers. Special colours are available on request. All dimensions can be changed based on customer's request.

**Branding:**  
Embroidery - up to 36 x 16 cm  
Screen printing - up to size 100 x 70 cm 1-colour imprint or 6-colour imprint up to size A3

**Edging colours:**  
Other colours on request

# Bibs ~~~~~



Bib 01



Bib 02

**Bib 01** [cm]

A	25
B	29
C	22

Washable children bib is made of 100% PES with PVC coating fabric or 100% cotton  
Branding: Screen printing

**Bib 02** [cm]

A	30
B	80
C	35
D	9,5

Washable adult bib is made of 100% PES with PVC coating fabric or 100% cotton  
Branding: Screen printing

# Shirts

**SH 01 Slim fit**

**Available sleeves:**

**For women**  
SHORT  
LONG  
3/4

**For men**  
SHORT  
LONG

**SH 02 Classic**

**Available sleeves:**

**For women**  
SHORT  
LONG  
3/4

**For men**  
SHORT  
LONG

All fabrics from colour chart can be used for all shirts. Other fabrics **100% cotton - Non Iron** and **97% cotton 3% elastan** can be also used for all shirts. Colour chart for this fabrics on request.

**Branding:** Embroidery, Screen printing

## MOST USED FABRICS (60% cotton and 40% PES)

500	505	806	102	216	361	402	610	650
501	520	807	100	240	365	401	605	660
506	510	808	106	125	275	604	292	
801	590	711	140	260	270	350	620	290
805	580	710		701	271	351	640	D-4
508	550			704				

# Other Items

**Chefs cap**

**Branding:** Screen printing, Embroidery

**Double padded seat cushion**

**Branding:** Screen printing, Embroidery

**Single padded seat cushion**

**Branding:** Screen printing, Embroidery

**Beach mat**

**Branding:** Screen printing

**Hot Pot Pad**

**Branding:** Screen printing, Embroidery

**Waiters pocket**

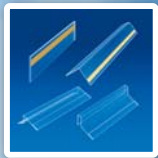
**Branding:** Screen printing, Embroidery

**Ice scratch glove**

**Branding:** Screen printing, Embroidery

*We also offer*

## PLASTIC PRODUCTS



## WOODEN PRODUCTS



Sheet Screen Printing  
CNC Milling, Cutting and Engraving  
Laser Cutting and Engraving  
Cutting  
Bending

Textile Screen Printing  
Embroidery  
Sublimation  
Flex, Flock  
Sewing

# Shevimpex®

PRODUCTION AND BRANDING OF TEXTILE, PLASTIC AND WOODEN ITEMS

**SHEVIMPEX s.r.o.**  
Pri bitúnku 13, 040 01 Košice - Slovakia

Tel./Fax: 00421 55 729 23 41-3  
shevimpex@shevimpex.sk  
[www.shevimpex.sk](http://www.shevimpex.sk)